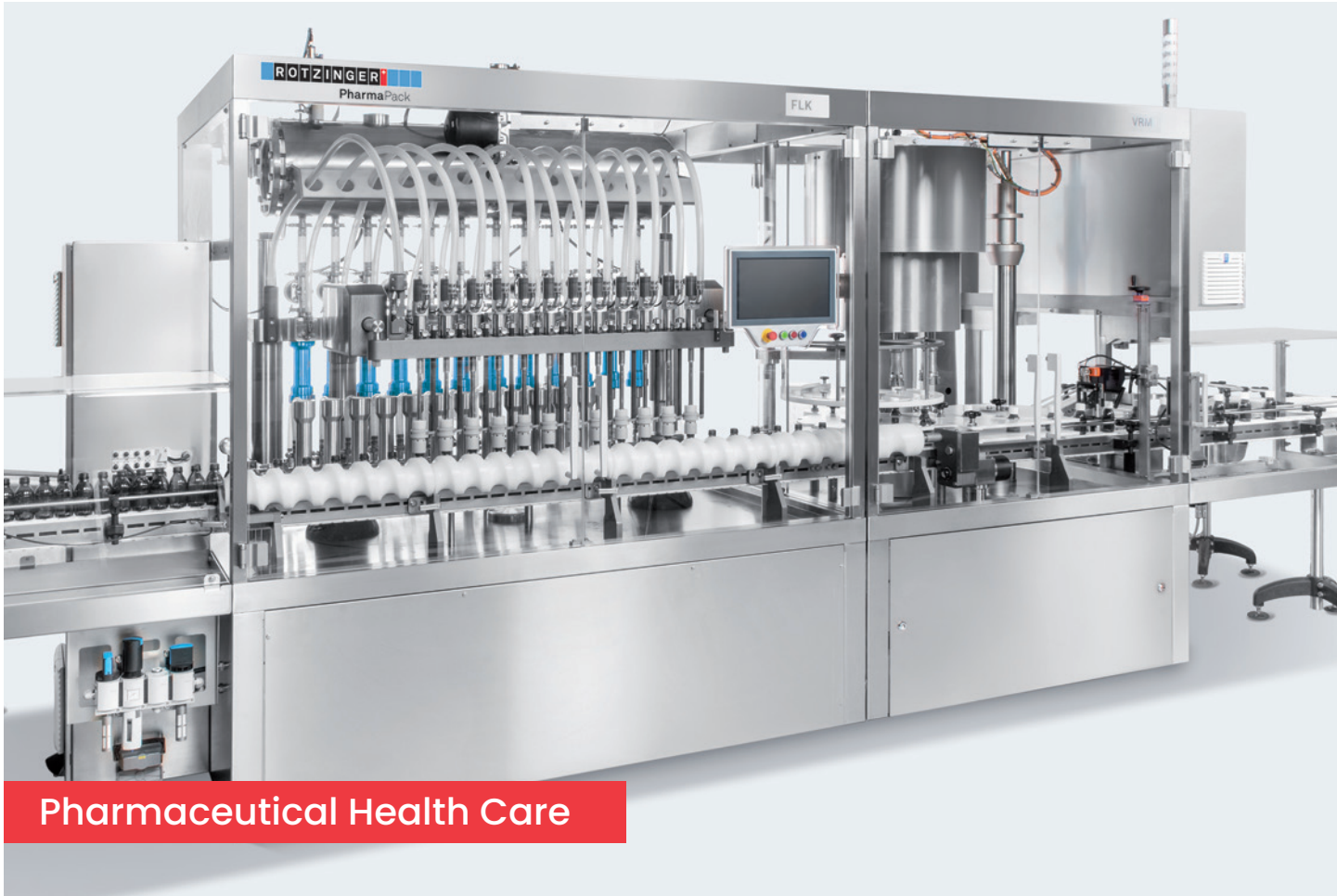


ROTZINGER+

PharmaPack

Inspiring technology!



Filling and Capping technology

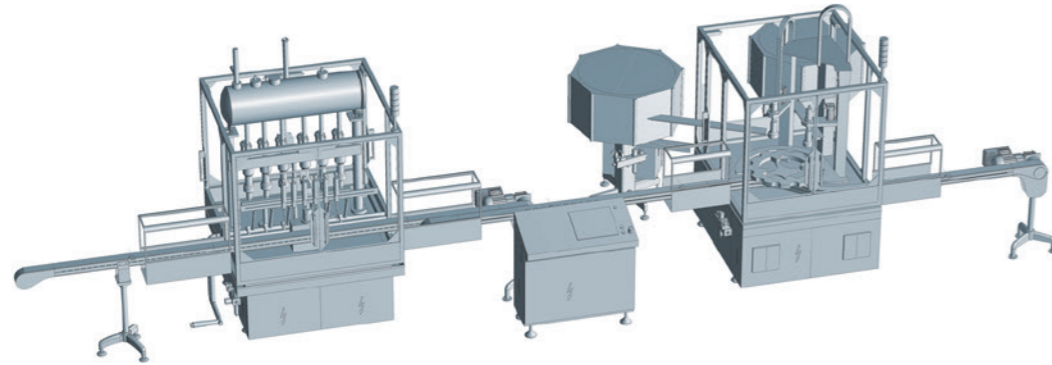


Machine combinations

FLK & VLM

Linear filling with intermittent capping

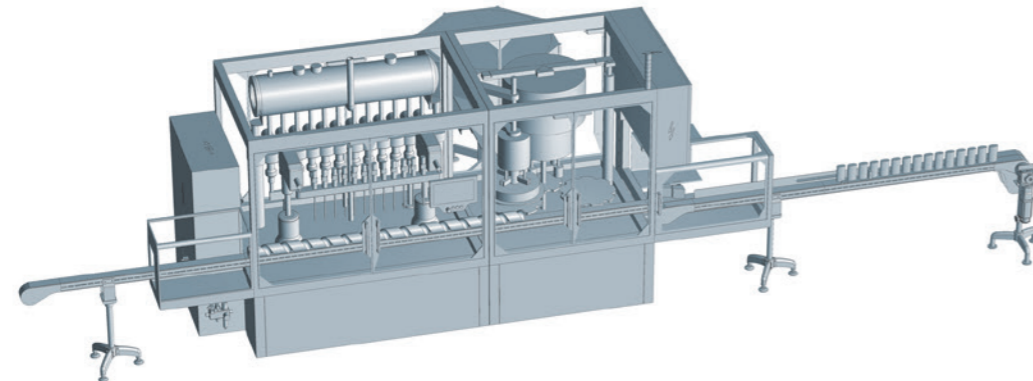
Output (Qest): up to 60 bpm



FLK & VRM

Linear filling with rotary capping

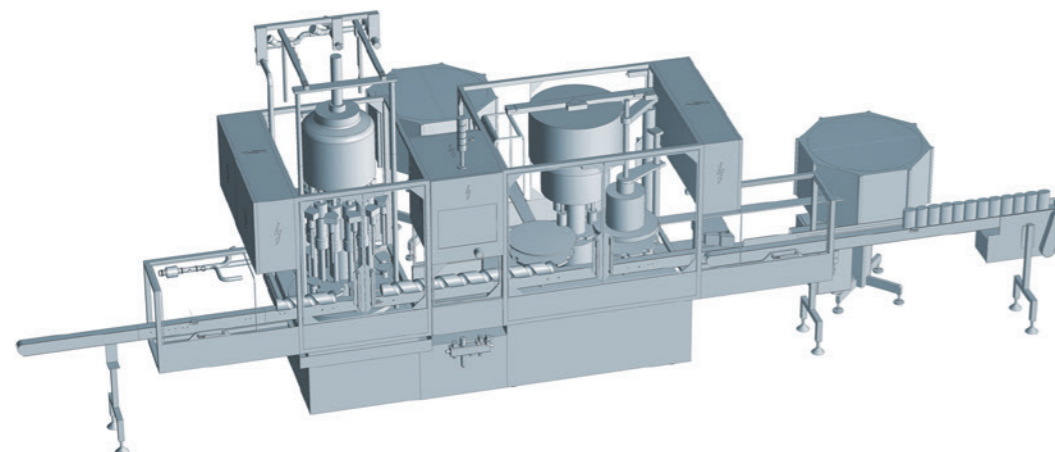
Output (Qest): up to 200 bpm



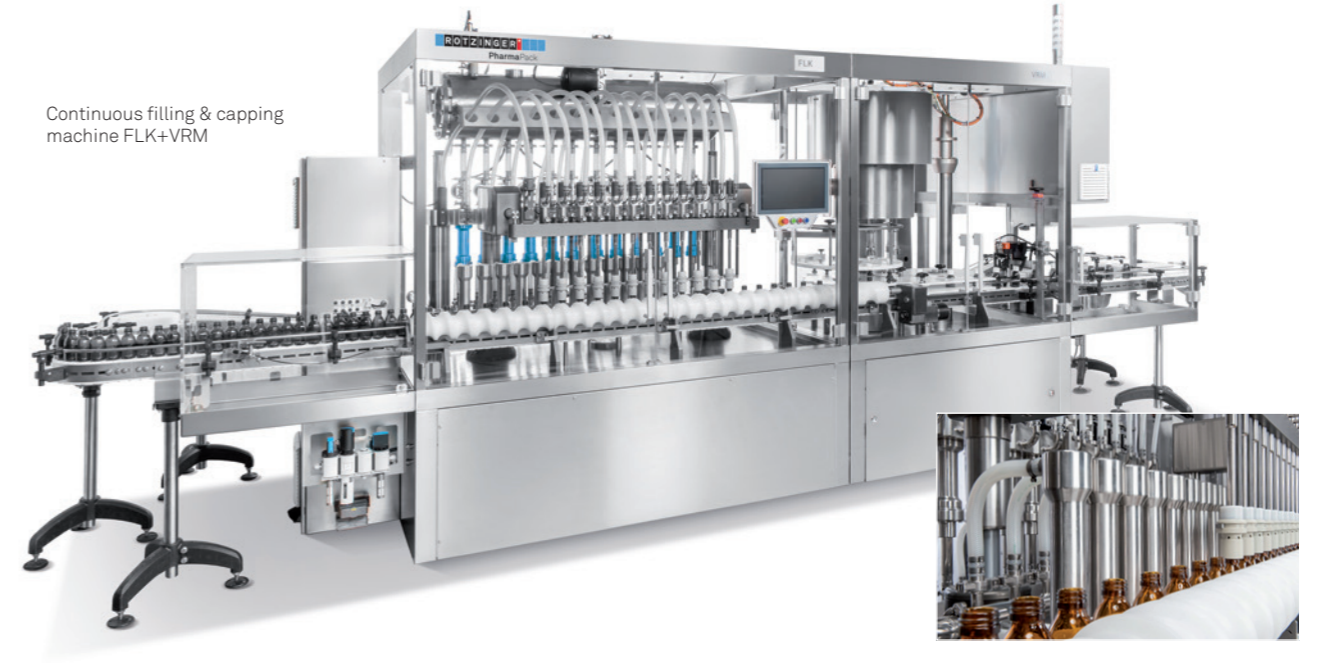
FRK & VRM

Rotary filling with rotary capping

Output (Qest): up to 450 bpm



Continuous filling & capping machine FLK+VRM



FLK+VRM Monoblock

Continuous filling & capping machine

Number of fill heads:	8 up to 12
Dosing volumes:	10 up to 1000 ml
Cap details:	plugs, screw caps, press-on caps, ROPP caps, measuring cups and pumps
Mechanical Output:	up to 200 bpm

Benefits

- Small footprint
- Combines advantages of linear filler and rotative capper
- Volumetric and mass-flow filling with highest versatility for any product from water-like up to sticky/viscous
- Automatic cleaning position
- Operator friendly format change
- Reproducible procedure for all individual CIP processes
- ATEX execution

Control and Operation System

- Full 15" Win7 embedded industrial PC with RAID1 (mirroring) based on 2 SSD (solid state disk). No no rotating storage device is used
- FDA prepared user interface with format versioning system (format data, cleaning parameters)
- Logging events, alarms and user actions in audit trail which is stored in a database

Standard System:

- Built on a Win7 embedded PC with compact flash storage device instead of a rotating storage hard disk
- 15" colour touchscreen with userfriendly look&feel and ergonomic design
- Every product relevant data (e.g. filling volume, suck-

back, machine speed, closing torque) and machine parameters (e.g. timers for infeed/out feed accumulations, summary faults) are stored in format parameter sets

- Online adjustment of product parameters (e.g. fine tune of filling volume, suck back)
- Alarms are clustered in alarm categories to have a fast way of error identification
- Show error locations on the screen (e.g. front filler guard is open)
- 5 user levels to enable several actions on the HMI (e.g. change of format data, change of cleaning parameters)
- Teleservice via analog telephone line or ethernet (VPN) is possible



Intermittent filling machine FLK



FLK

Intermittent filling machine

Number of fill heads: **4 up to 12**
 Dosing volumes: **10 up to 1000 ml**
 Mechanical Output: **up to 120 bpm**

Benefits

- User-friendly and repeatable machine adjustment to any product and any container format by modern and innovative servo technology
- Volumetric and mass-flow filling with highest versatility for any product from water-like up to sticky/viscous
- Reproducible procedure for individual CIP processes
- Highest machine availability, productivity & efficiency
- Modern filling technology with adjustability for all product parameter
- Low production costs
- High product flexibility

FRK

Rotary filling machine

Number of fill heads: **9 up to 24**
 Dosing volumes: **10 up to 1000 ml**
 Mechanical Output: **up to 450 bpm**

Benefits

- Modern and complete volumetric filling technology for water-like up to sticky / viscous products, all with specific characteristics
- Compact machine design with controlled product path, individual bott control for highest filling accuracy and output
- Automatic set-up for all relevant product parameters, for operation a cleaning
- Reproducible procedures for all individual cleaning processes
- Low production costs
- Highest product flexibility



Rotary filling machine FRK



Rotary capping machine VRM



VRM

Rotary capping machine

Number of capping heads: **4 up to 12**
 Cap details: **plugs, screw caps, press-on caps, ROPP caps, measuring cups and pumps**
 Mechanical Output: **up to 450 bpm**

Benefits

- Compact machine design with one or two capping turrets in combination with an application unit for measuring cups
- Positive bottle and cap control with auto detection systems
- Reproducible capping function, torque or angle controlled
- Toolless change over with repeatable settings
- Easy operator prompting due to storage of all relevant bottle/cap data
- Machine in combination with cap sorting, fully synchronized

Benefits

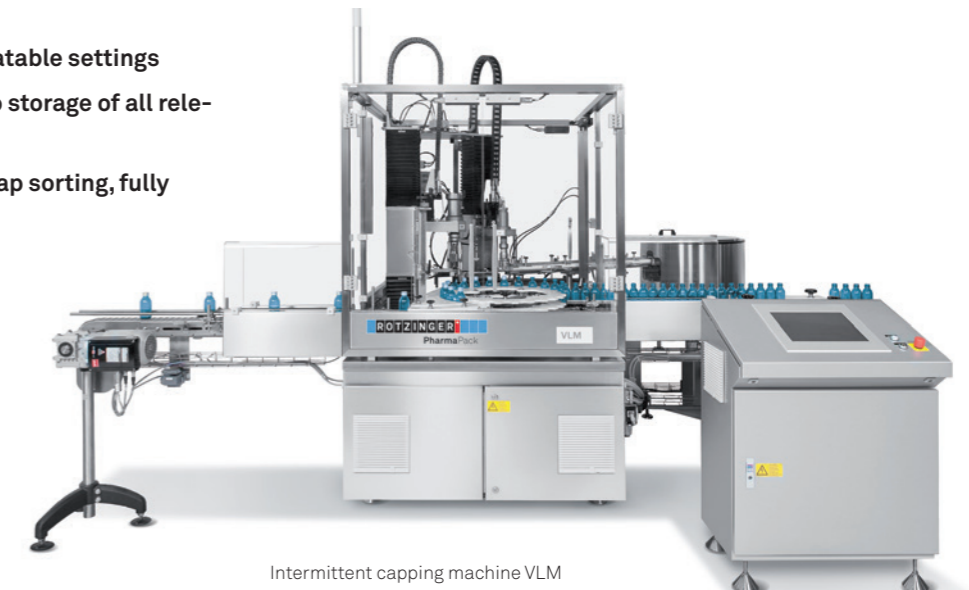
- Compact machine design with one or two capping turrets in combination with an application unit for measuring cups
- Positive bottle and cap control with auto detection systems
- Reproducible capping function, torque or angle controlled
- Toolless change over with repeatable settings
- Easy operator prompting due to storage of all relevant bottle/cap data
- Machine in combination with cap sorting, fully synchronized



VLM

Intermittent capping machine

Number of stations: **one or two**
 Cap details: **plugs, screw caps, press-on caps, ROPP caps, measuring cups and pumps**
 Mechanical Output: **up to 60 bpm**



Intermittent capping machine VLM

FLK, FRK, VLM & VRM

Filling and Capping technology – Machine Combinations

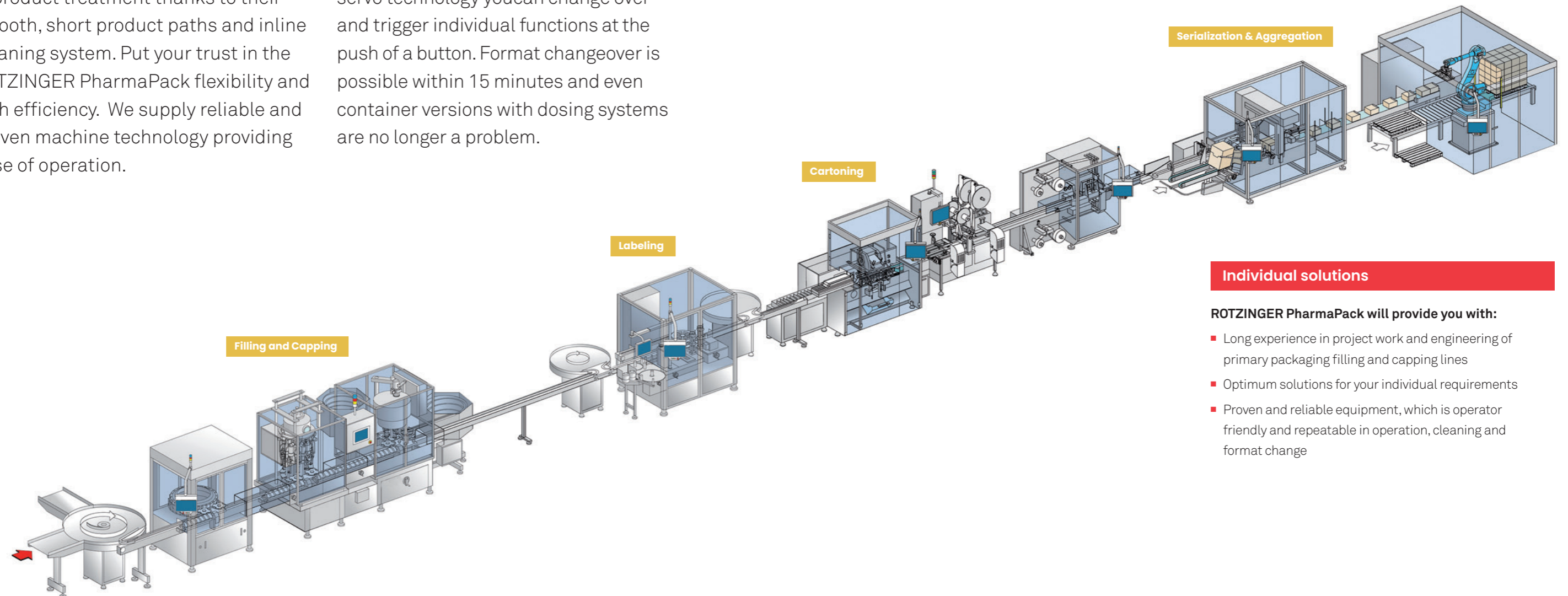
ROTZINGER PharmaPack is your reliable partner for **filling & capping technology** for non-sterile pharmaceutical liquids. We offer intelligent and sustainable solutions: individual machines, systems and services – as full-service provider.

Gentle treatment

ROTZINGER PharmaPack machines provide a particular high degree of gentle product treatment thanks to their smooth, short product paths and inline cleaning system. Put your trust in the ROTZINGER PharmaPack flexibility and high efficiency. We supply reliable and proven machine technology providing ease of operation.

Servo technology

With ROTZINGER PharmaPack packaging machines equipped with servo technology you can change over and trigger individual functions at the push of a button. Format changeover is possible within 15 minutes and even container versions with dosing systems are no longer a problem.



Complete line solutions from a single source

ROTZINGER PharmaPack offers consulting, design, engineering and responsibility for complete production lines. ROTZINGER PharmaPack technology along with a consequent service concept will provide the package for measurable profit.

System overview

- Intermittent filling FLK
- Rotary filling FRK
- Rotary capping VRM
- Intermittent capping VLM
- Continuous filling & capping FLK + VRM

Individual solutions

ROTZINGER PharmaPack will provide you with:

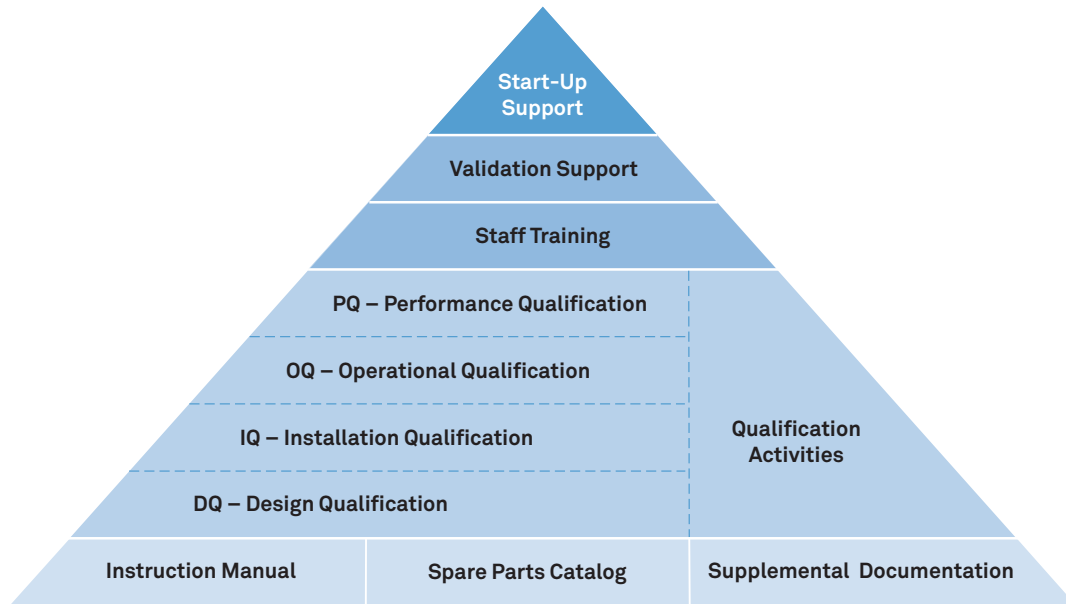
- Long experience in project work and engineering of primary packaging filling and capping lines
- Optimum solutions for your individual requirements
- Proven and reliable equipment, which is operator friendly and repeatable in operation, cleaning and format change

Documentation for qualification & validation

ROTZINGER PharmaPack supplies first class documentation and qualification services. Our instruction manual and the parts catalogue, which are constituent parts of the machine, provide important information for operation, maintenance and troubleshooting.

With its documentation ROTZINGER PharmaPack offers a solid basis for qualification and validation. We can provide a GMP compliant technical documentation for qualification and validation purposes. As an additional service we offer qualification activities, which will

enable you to achieve the fastest production start possible. With our excellent knowledge and experience we provide you with all the support for a smooth processing of all qualification and validation works.



Customized service solutions for the entire life cycle of your machines.

By investing in a ROTZINGER PharmaPack packaging machine, you gain access to an extensive range of services. Providing reliable services from a single source, all over the world.

It already begins during the project phase with services such as process consulting, system planning, or lab services. And it continues during operation: from spare parts and field service offerings to stock optimization, modernization, and preventive maintenance, all the

way to remote and data-based services and training. Whether it's a customized solution or a standard service – together with us you achieve maximum output with minimum downtime and optimize the profitability of your machines.

YouTube videos:



Get in contact with us!

ROTZINGER PharmaPack GmbH | rotzinger-pharma.com

At company
NextPharma, FR



At company
KWIZDA, AT



At company
Klosterfrau, DE



Member of ROTZINGER GROUP